

ALLIGHT
致鼎科技

Dongguan Zhiding Electronics Technology Co., LTD

No. 8, Yinling Industry Zone, Xiaqiao, Dongcheng District,

Dongguan, Guangdong, China

Tel:86-0769-22665151 Fax:86-0769-22665155 Contact: Elsa Xiao Email: sales@zhidingled.com

Emergency ABS Power Bank Rechargeable Torch Light

LED Flashlights 1000 Lumens Tactical Flash Light, 5 Modes Flashlight High-Powered 18650 Rechargeable Light



Specification Parameter

Product color: Black

Temperature range: -30°C — +50°C

Product size: total length is 195mm, diameter of lamp is 60mm, lamp head is 56mm, grip maximum diameter is 49mm

Weight: about 170g

Structural Representation

Emergency lamp holder

Optimized shell design

Warning light can flash for about 20 hours

Charging Micro USB Interface

Emergency light function button

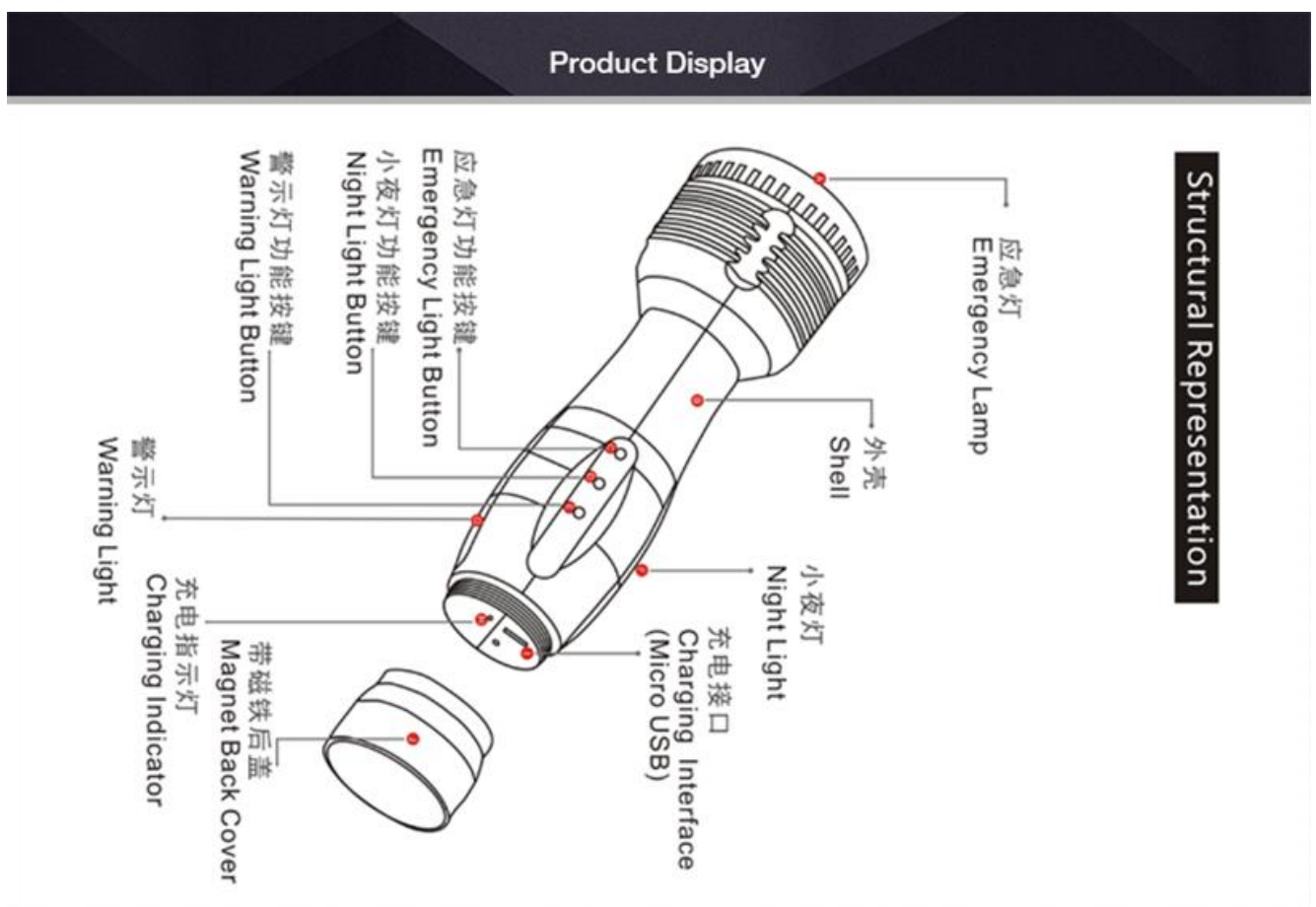
Nightlight function button

Warning light function button

Night light

charging indicator

Magnet back cover



Features

Originality manufacture

Charging indicator

Magnet back cover

Necessary for outdoor adventure

Good concentration, long distance exposure and energy saving

Low light for 8 hours, strong light for 4 hours

Outdoor self-driving emergency

Outdoor/Adventure/Cycling/Home/Travel

Tripod warning function

Necessary for car driving tour

Multi-function Multi-purpose

Three light mode

Can be attached on the car body

Suitable for reading and observation

Long range strong light function

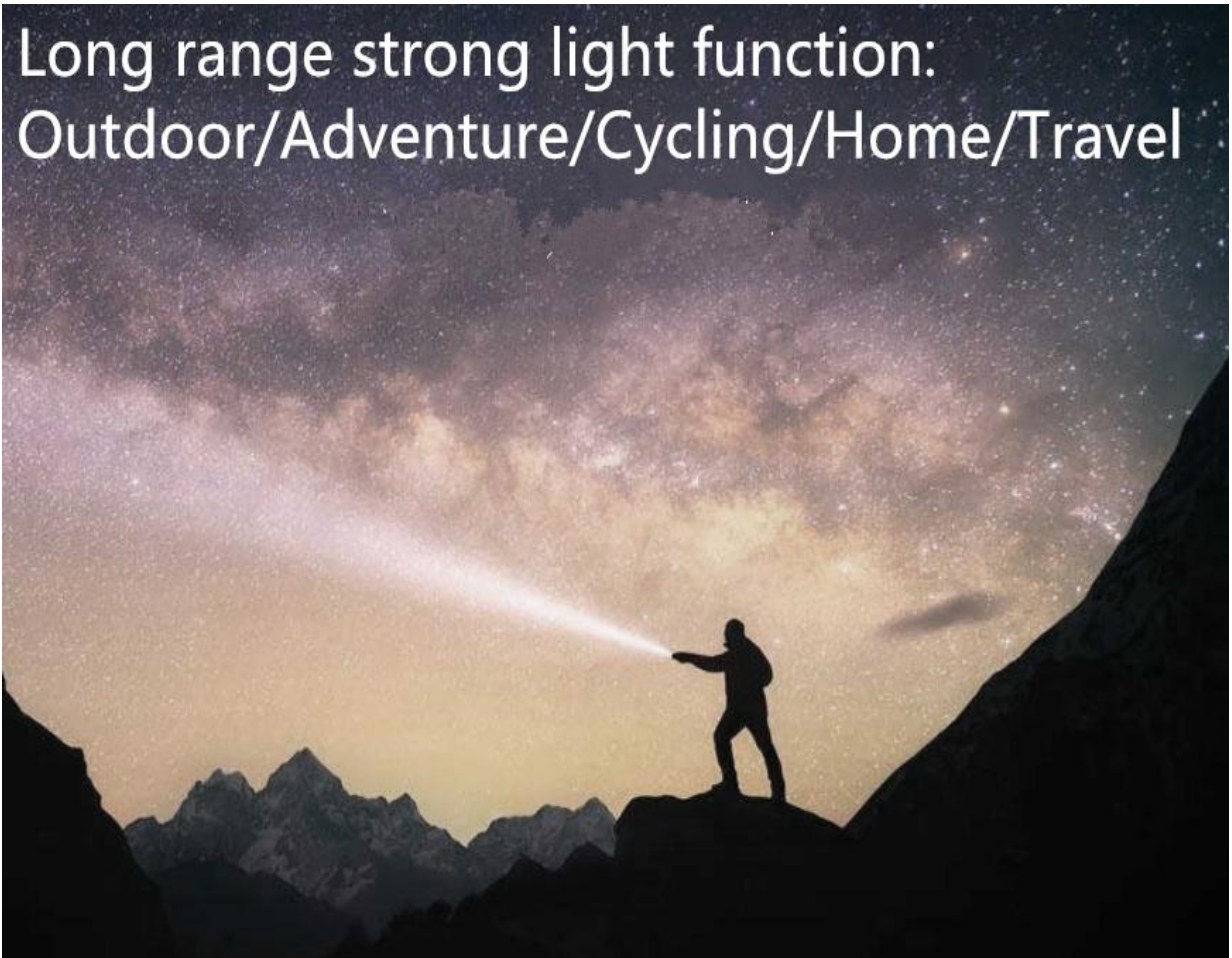
Auto emergency maintenance lighting



Tripod warning function



Long range strong light function: Outdoor/Adventure/Cycling/Home/Travel



Charger:

100% new band

Portable Battery Charger for Rechargeable Li-ion Ni-MH Ni-Cd Battery

Led charging indicator: Charging-RED, Full Charged- GREEN

Compatible with:18650

Input: 100V-240V; Max. 150mA; 50/60Hz

Output: DC 4.2V; 450mAh

Plug Type: US/UK/AU/EU plug type for your choosing

Cautions:

1. Please promptly charge the reading lamp when the source is used up. Otherwise the usage life will be shortened.
2. Please do not use it when charging in order to avoid burning out the internal components of the power source.
3. Please use the specified charger.
4. The light of LED lamps is ultra strong, do not shine eyes directly(child should be guide under adults).
5. Please charge it every three months when it is not need to use.

Our service:

Q1: Are you a Factory or trading company?

A: We are a factory established in 2009, located in DONGGUAN CITY, GUANGDONG, CHINA

Q2: When will the products be delivered if the order has been placed?

A:7-35days Our home brand ZHIDING with agency all over China. For regular selling items, we have safety stock. If no special requirement for color and packing, we can delivery around 3 working days.

Q3: What is your quality control process?

A: All our goods will be inspected 4 times. Pre mass production - Welding - Assembling - Finished goods. 100% inspected by QC staff. To meet customer, we can produce qualified produce meet the requirement under CE, ROHS etc.

Q4: What's the MOQ?

A:MOQ is 1pcs. Big quantity will have discount.

Q5: Do you have any sales serves?

A: Yes, we do 1 Year quality warranty, and we do sale area protection for our customers

Q6: What about the payment?

A:We accept T/T for the large order, also accept Paypal, Escrow, Western Union, Money Gram.

Q7: How can we believe you?

A: We've been in this line for10 years, Provide customers with detailed instructions and strong technical support.

WELCOME TO CONTACT US>>>>WWW.ZHIDINGLED.COM



Oversea Sales Manager
Elsa Xiao
E-mail:sales@zhidingled.com
Skype: elsa.xiao0418
Mobile: 86-13412570091
WhatsApp: 86-13412570091
Tel: 86-769-22665151
Fax:86-769-22665155